

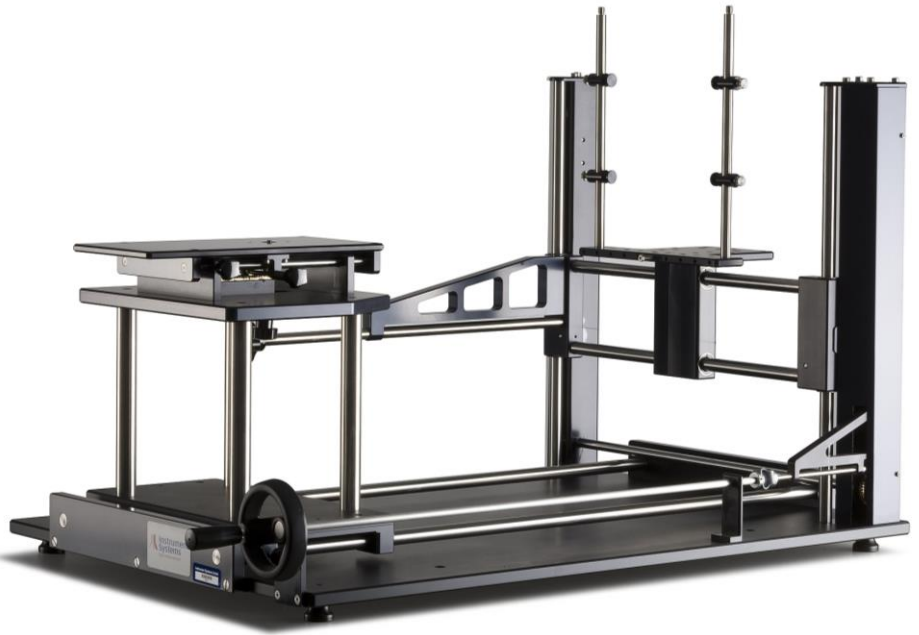
# DTS 400

## Manual Positioner

for display measurements

### Product highlights

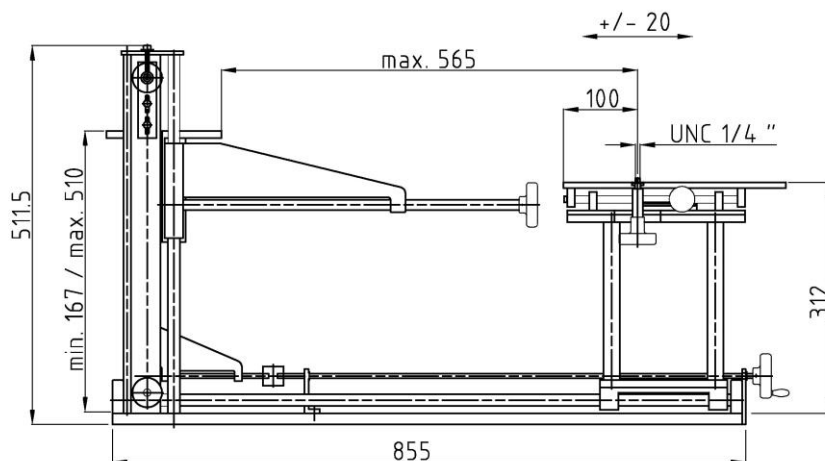
- Solid & stable construction
- Compatible with LumiCam 1300/4000 and TOP 100/200
- Horizontal and vertical positioning of the test sample
- Black finish prevents interfering reflectance



This multifunctional rack is ideally suited for the manual positioning of test sample and measuring device while performing radiometric or photometric measurements on displays. It consists of an X-Y mounting for the vertical and horizontal positioning of the tested object. The measuring instrument instead is fixed on a second platform that allows movements in the Z-axis to focus correctly on the test object. Both stages are integrated in a robust and stable construction that avoids unintentional movements or misalignment.

Instrument Systems offers the positioner especially for the radiometric and photometric characterization of displays with

- TOP 200 telescopic optical probe (DTS 140 spectroradiometric display test system)
- LumiCam 1300 imaging photometer and colorimeter
- LumiCam 4000 imaging photometer and colorimeter



## Technical Specifications

<b>Model</b>	<b>DTS400-110</b>
Dimensions (L x W x H)	855 x 586 x 512 mm
<b>Test Article Stage Movement</b>	
Horizontal (X-Axis)	162 mm each side of center
Vertical (Y-Axis)	167 mm (min) to 510 mm (max)
Test article weight	up to 25 kg with center of gravity above stage
<b>Focussing Platform</b>	
Focussing Length (Z-Axis)	100* to 582 mm
<b>Construction</b>	
Material	Aluminium black anodized

\*Distance from test article stage to UNC 1/4" mount on focussing platform

## Ordering Information

Order number	Description
DTS400-110	Manual XYZ-positioning system for measuring displays; includes mounting plate for holding a light measurement device such as the TOP 200 or LumiCam



KONICA MINOLTA Group

### Instrument Systems GmbH

Neumarkter Str. 83  
 D-81673 Munich, Germany  
 Tel.: +49 (0)89 45 49 43-0  
 Fax: +49 (0)89 45 49 43-11  
 info@instrumentsystems.com  
 www.instrumentsystems.com